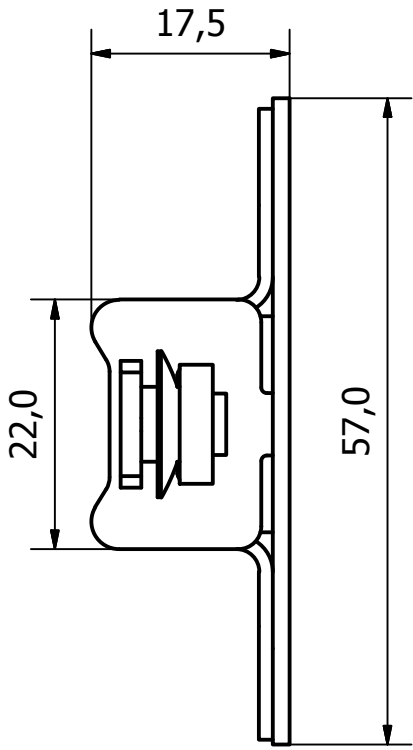
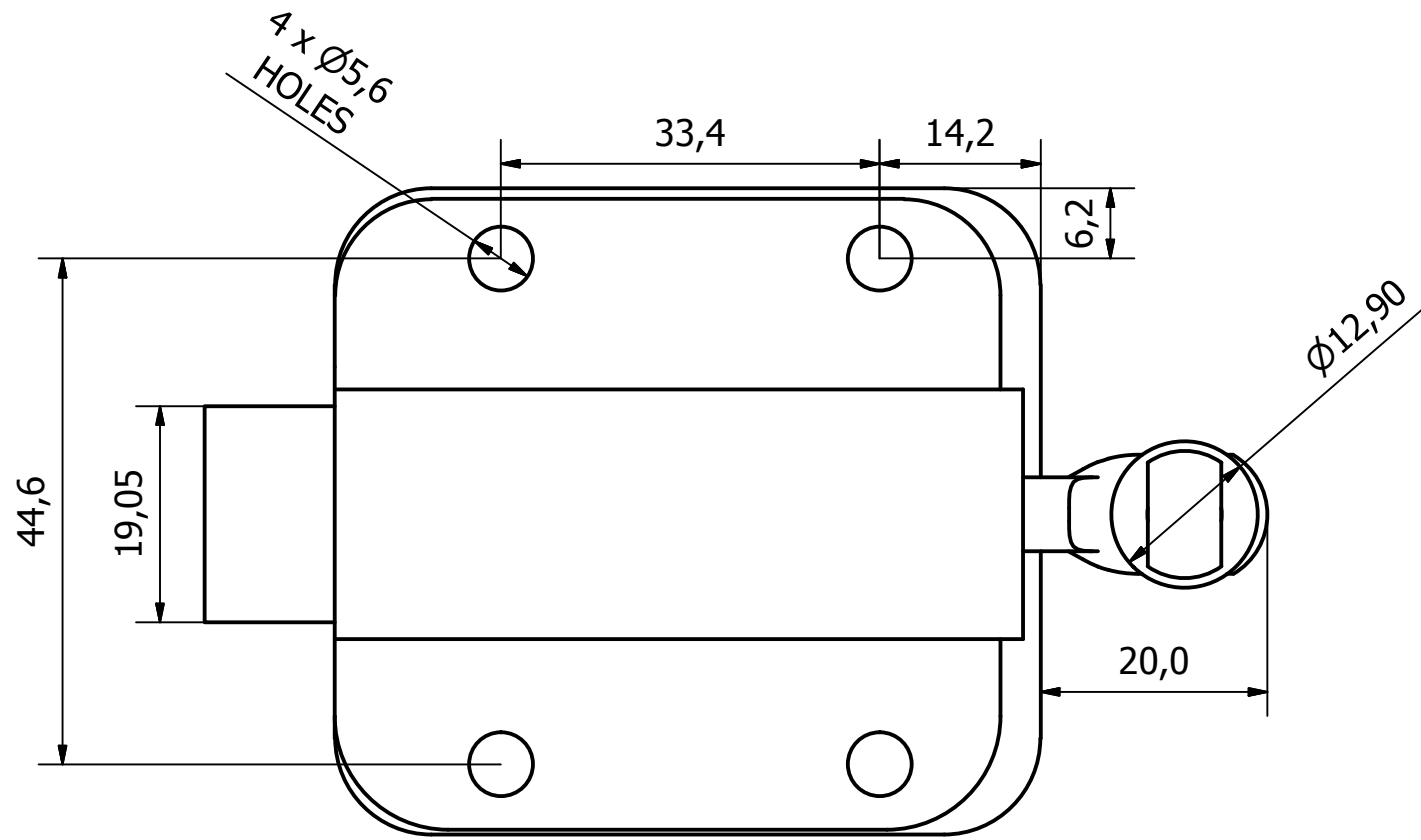
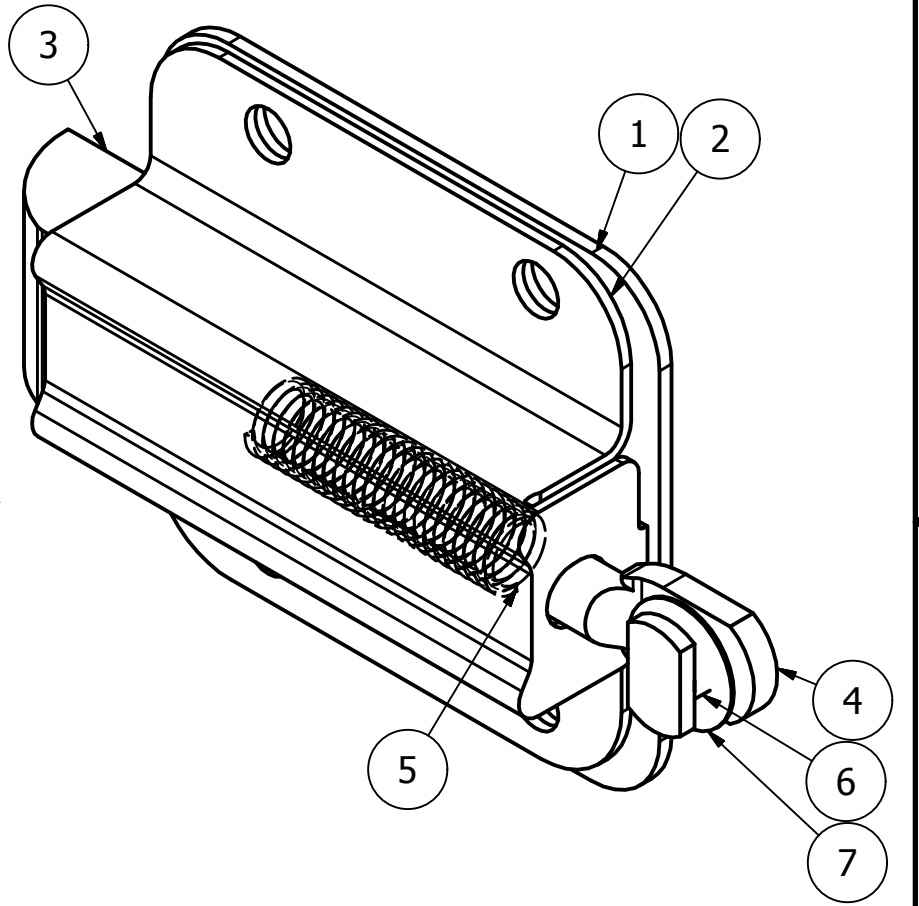


PARTS LIST			
ITEM	QTY	PART NUMBER	DESCRIPTION
1	1	5589-2231-1	M/STEEL SLAM BOTTOM PLATE
2	1	5589-2231-2	M/STEEL SLAM TOP PLATE
3	1	5589-2231-3	M/STEEL SLAM TONGUE
4	1	5589-2231-4	M/STEEL TENSIONING BOLT
5	1	5589-2231-5	M/STEEL COIL SPRING
6	1	5589-2232-1	M/STEEL TAIL RIVET
7	1	5589-2232-2	M/STEEL WAVEY WASHER



1	VALIDATION COMPLETE	28/07/17	A.P
REV	DESCRIPTION	DATE	APPROVED
U.F	A.P	26/05/2017	A3
M/STEEL END SLAM C/W REVERSIBLE BOLT, TAIL RIVET		Date	ALL DIMS IN MM UNLESS STATED DO NOT SCALE
5589-2232		26/05/2017	DO NOT SCALE
		Edition	Sheet
		1	1 / 1

GENERAL TOLERANCES ON LENGTHS
0.5 - 6 ± 0.1mm
6 - 30 ± 0.2mm
30 - 120 ± 0.3mm
120 - 400 ± 0.5mm
400 - 1000 ± 0.8mm
1000 - 2000 ± 1.2mm
2000 - 4000 ± 2.0mm

DRAWN BY  
U.F

CHECKED BY  
A.P



SCALE  
1.5:1

MATERIAL  
-

MASS  
0.181 kg

FINISH  
Z/C PASSIVATE

Date  
26/05/2017

ALL DIMS IN MM UNLESS STATED DO NOT SCALE

A3